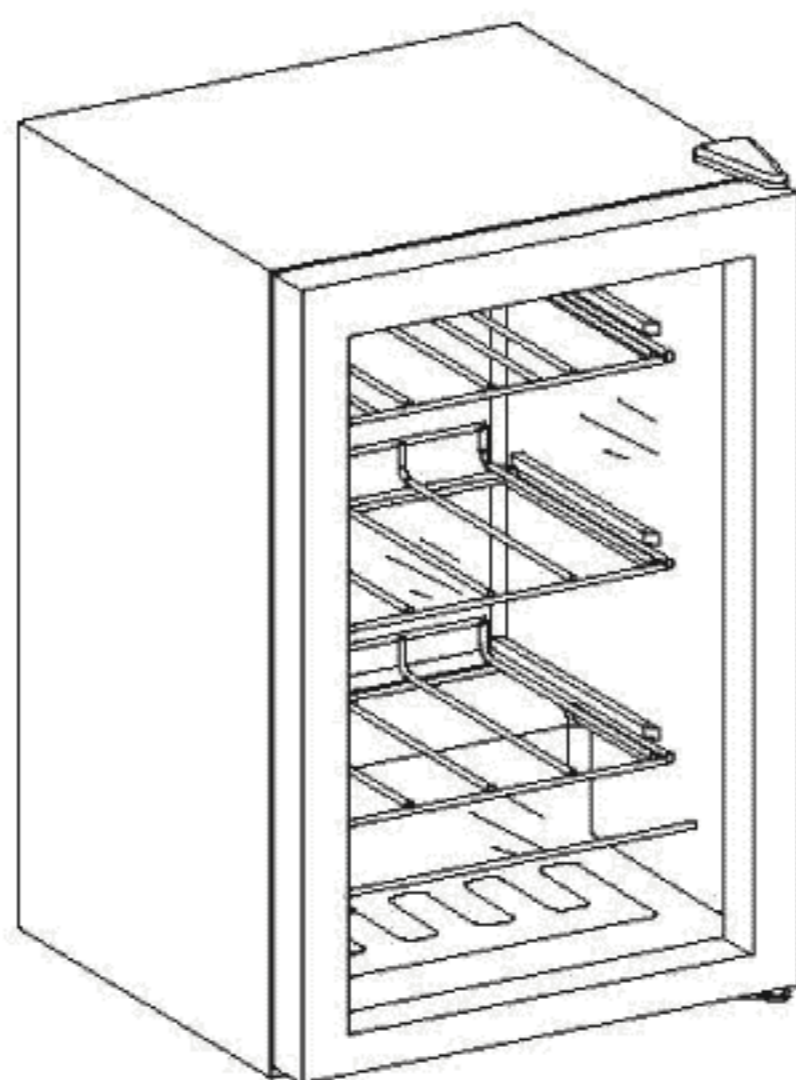


Vinotemp[®]

WINE CELLAR

VT34/VT24

INSTRUCTION MANUAL



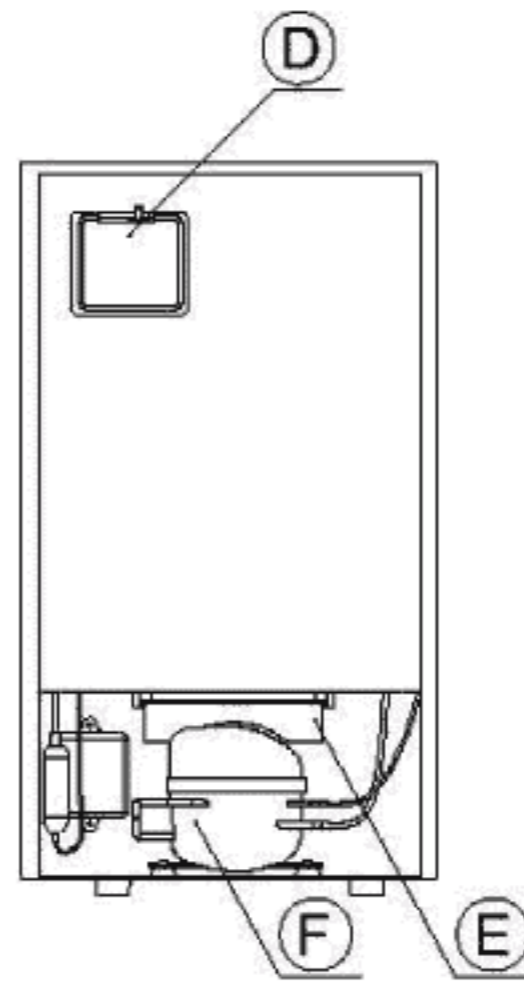
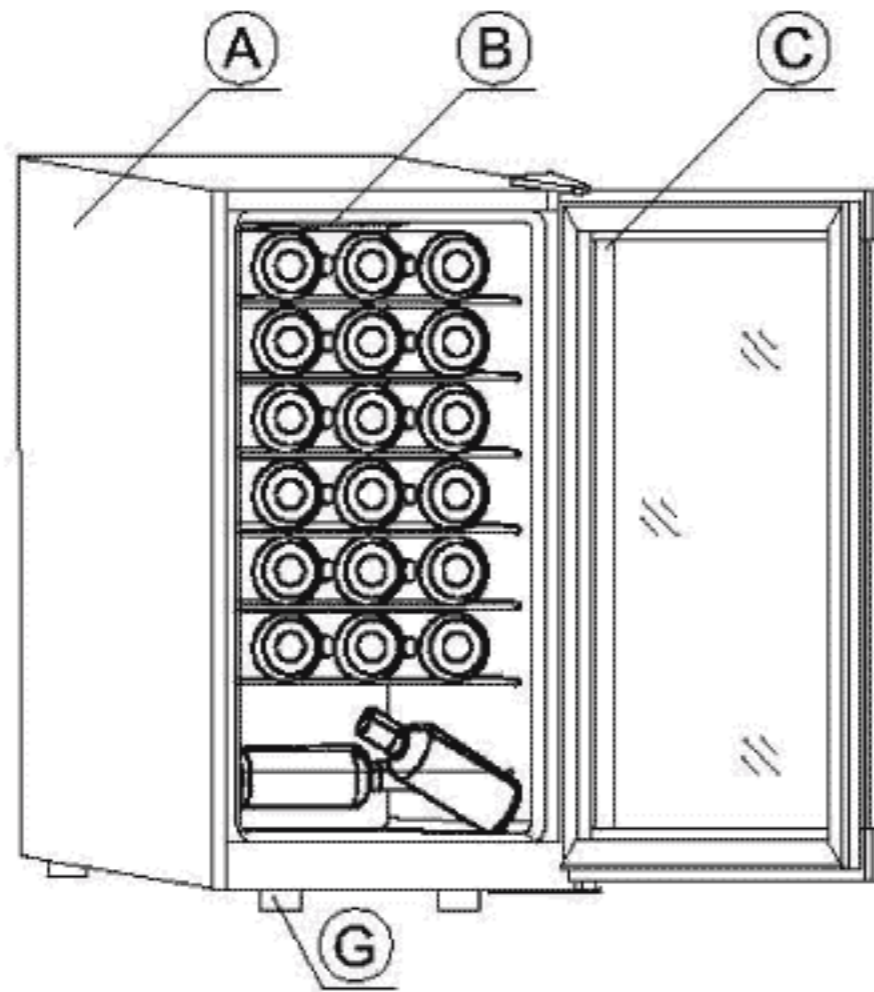
LOS ANGELES CA

www.vinotemp.com

CONTENT

Parts and Identification	1
Safety Instructions	2
Changing Door	3
Installation Instructions	3
<i>Before Use</i>	3
<i>Installation</i>	4
Operation of the Wine Cellar	4
<i>Temperature Control</i>	4
<i>Light Control</i>	5
Maintenance	5
<i>Cleaning</i>	5
<i>Light Bulb Replacement</i>	5
<i>Power Failure</i>	5
<i>Non Usage for an Extended Time</i>	6
<i>Moving the Wine Cellar</i>	6
<i>Drip Pan</i>	6
Troubleshooting Guide	6
<i>Wine Cellar Does Not Work</i>	6
<i>Wine Cellar Is Not Cold Enough</i>	7
<i>Noise or Vibration</i>	7
<i>Compressor Turns On and Off Frequently</i>	7
<i>The Light Does Not Work</i>	7
<i>Door is not Close Properly</i>	7
Circuit Diagram	8
Limited Warranty	8

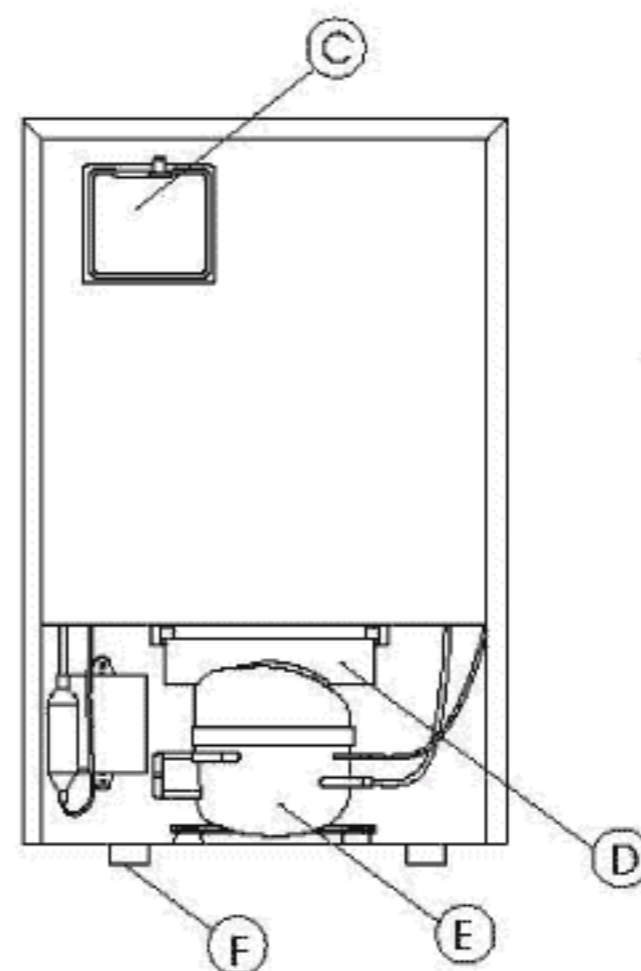
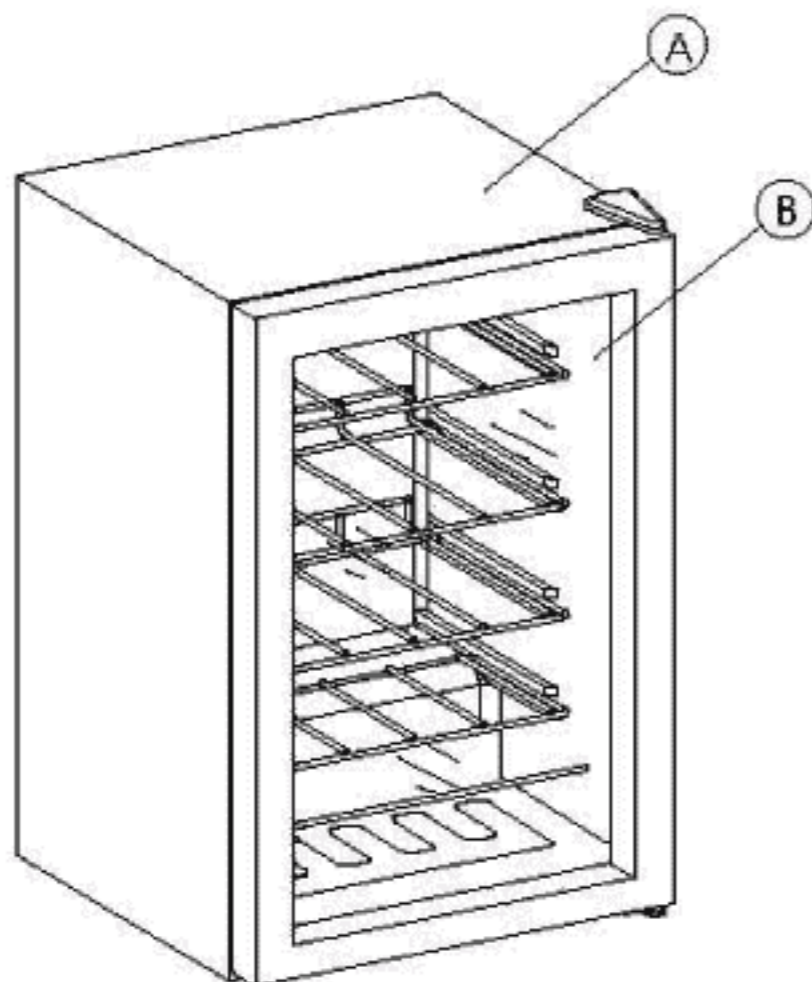
Parts and Identification:



VT34

- A. Cabinet
- C. Glass Door
- E. Drip Pan
- G. Adjusting Leg

- B. Rocker Switch
- D. Thermostat
- F. Compressor



VT24

- A. Cabinet
- C. Thermostat
- E. Compressor

- B. Glass Door
- D. Drip Pan
- F. Adjusting Leg

Safety Instructions:

Warning:

To reduce the risk of fire, electric shock, or injury when using your wine cellar, please note the following basic precautions:

- Before using, read all instructions.
- Child entrapment and suffocation are dangerous, **before you throw away your old wine cellar: take off the door, leave the shelves in place so that children may not easily climb inside.**
- Never clean appliance parts with flammable fluids. Also do not store or use gasoline or any other flammable vapors and liquids in the vicinity of this or any other appliance. The fumes can create a fire or explosion.

Changing door::

The door of the wine cellar could be opened either from the left or right side. The cellar delivered to you is installed on the left side.

If you want to reverse the open direction of door, please do as follows:

1. Remove the hinge cover on top right side of the cellar, then remove the bolts and take off the hinge, and put them to the side.
2. Remove the bolts from the left side top of the cellar and insert them into the hole on the right side.
3. Take off the door accordingly and put it to the side gently.
4. Remove the hinge bracket on bottom right side of cellar, flip the bracket over and then transfer it to the opposite side. Make certain the leveling legs are properly adjusted.
5. Remove the bracket on the bottom left side of cellar and transfer it to the right side.
6. Install the door (Note: the door must be upside down to insure proper installation).
7. Install the hinge on the top right side of the cellar, screw the bolts tightly, and then install the hinge cover.

Instructions of Installations:

Before Use

- Remove all the packing materials before using your wine cellar.
- Let the wine cellar stand upright for about 2 hours before connecting power.
- Clean the interior surface with a soft cloth and lukewarm water.

Installation:

- Make certain the wine cellar is on a solid horizontal surface. Adjust the legs properly to insure this appliance is level.
- Leave some space (about 5 inches) between the back and sides of the cellar to allow proper ventilation of the compressor.
- Do not place the cellar in moist areas. Too much moisture will cause the evaporator to frost quickly and cause condensation to form on the glass door.
- Keep the cellar away from direct sunlight or other sources of heat. Also avoid operating the cellar in extreme cold temperature environments.
- Plug the cellar into an exclusive, properly grounded wall outlet. Any problems concerning power or grounding should be directed to a qualified electrician or please contact your local dealer.
- **Improper use of the grounding plug can result in the risk of electrical shock. If the power cord is damaged, please replace it with an identical replacement plug or please contact your local dealer.**
- **Not designed for application in the garage or extreme external temperatures.**

Operation of the Wine Cellar:

Temperature Control

- “OFF” , “MIN” , “NORMAL” and “MAX” are the four settings of the temperature control.
- Set the temperature control to “MAX” position when you use the cellar for the first time.
- 20 minutes later, adjust the temperature control to “NORMAL” position.
- Turning the temperature control to “OFF” position could stop the cooling cycle, but will not shut off power to the wine cellar.
- If the cellar is turned off, unplugged or power lost, you must wait 3~5 minutes before restarting it.
- The temperature range between “MIN” and “MAX” (48°F~61°F) is ideal for the storage of wines.

Light Control (Only for Model VT34):

The inside light is controlled by the on/off rocker switch.

Maintenance

Cleaning:

- Turn the temperature control to “OFF” position. Unplug the cellar and take out all the bottles.
- Clean the interior surface of cellar with warm water and baking soda solution.
- Clean the shelves with mild detergent solution.
- Clean the exterior surface of cellar with mild detergent solution and warm water.
- The bottom part of the storage area also needs to be cleaned periodically.

Light Bulb Replacement (Only for Model VT34):

- Unplug the cellar or cut off power before removing the bulb.
- Remove the screw.
- Remove the bulb cover gently.
- Remove the bulb.
- Replace with a 10 watt refrigerator bulb in the same size and shape.
- Install the bulb cover and tighten the screw.

Power Failure:

Please minimize the frequency of opening the door during a power failure. Most power failures are corrected within a few hours and the temperature of your wine cellar will not be affected.

If the power will be off for an extended period, proper procedure should be followed for the stored wines.

Non Usage for an Extended Time:

If your wine cellar is unused for extended period, it is best to remove the bottles, unplug and clean your cellar. Also please open the door to avoid possible formation of condensation, mould or odors.

Moving the Wine Cellar:

- Take out all the bottles.
- Secure all loose parts inside the cellar.
- Tape the door shut.
- During transportation, make sure that the wine cellar is in the upright position.

Drip Pan:

- When the compressor stops working, water drops will drain through the outlet in the inner back wall into the drain pan (above the compressor).
- If the drain pan needs to be cleaned, pull the drain pan forward gently and reinstall it after cleaning.

Troubleshooting Guide:

If your cellar does not work properly, please note the following suggestions before you attempt to repair.

Wine Cellar Does Not Work:

No power or wine cellar is not plugged in.

The circuit breaker is tripped or the fuse is blown.

The temperature control is set at “OFF” position.

Wine Cellar Is Not Cold Enough:

Check to make sure that the temperature control is set at “NORMAL” position.

The door is opened too frequently.

The door is not closed properly.

The door gasket is not sealed well.

There is insufficient clearance around the cellar.

Noise or Vibration:

The cellar is not leveled properly.

It is normal to hear gurgling sounds caused by the flow of refrigerant when each cooling cycle ends.

Check for possible loose parts.

Compressor Turns On and Off Frequently:

The room temperature is higher than normal.

The door is not closed completely.

The door is opened too frequently.

The cycling frequency will reduce when all the bottles reach the set temperature.

The temperature is not set properly.

The door gasket is not sealed well.

There is insufficient clearance around the cellar.

The Light Does Not Work:

There is no power or the cellar is not plugged in.

The circuit breaker is tripped or the fuse is blown.

The light bulb is burned out.

The switch is on “OFF” position.

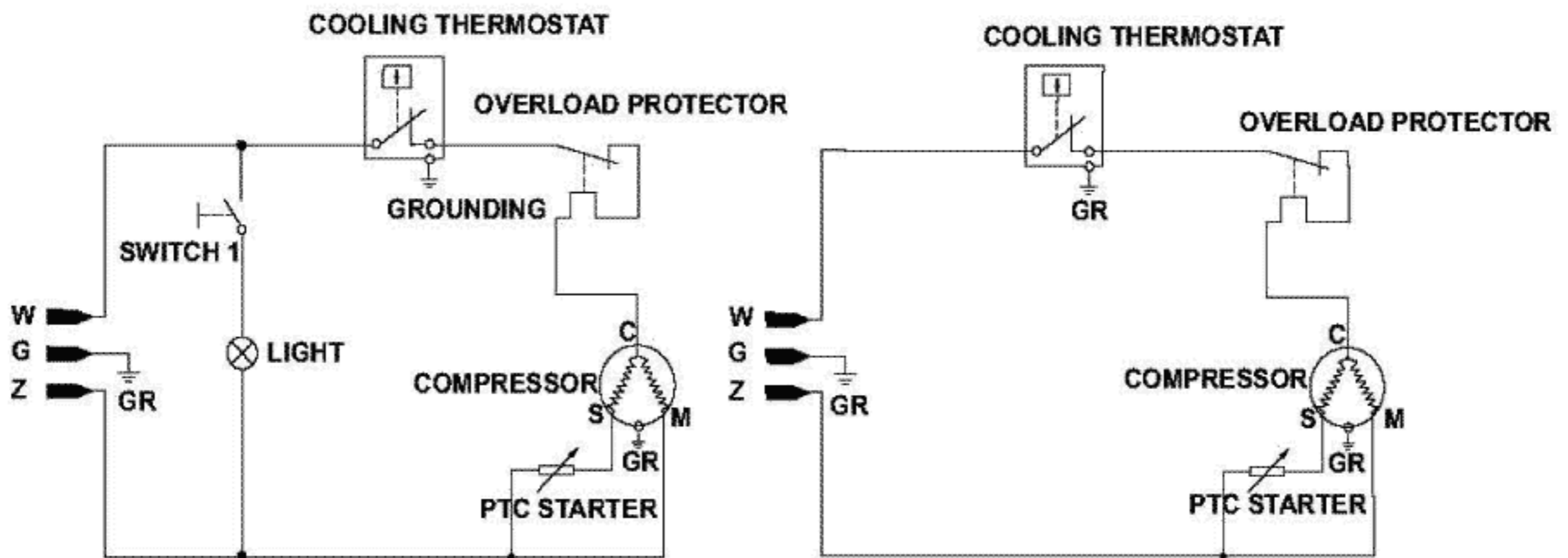
The Door Could Not Close Properly:

The wine cellar is not leveled properly.

The door gasket is obstructed.

The shelves are not in the proper position.

Circuit Diagram:



VT 34

VT 24

LIMITED WARRANTY:

The limited warranty is for twelve months on parts and labor from the date of sale. This limited warranty does not cover:

Damage due to such things as accident, misuse, abuse, mishandling, neglect, acts of God, fires, earthquakes, floods, high winds, government, war, riot or labor troubles, strikes, lockouts, delay of carrier, unauthorized repair or any other cause beyond the control of the Seller whether similar or dissimilar to the foregoin.

For service on your unit due to malfunction please call 866 548 0883.

If the service technician makes an in home visit and finds the unit working correctly, you will be subject to a service fee for the visit.

Please review Terms and Conditions on www.vinotemp.com.

For more Information and Service please email us at info@vinotemp.com

Purchaser understands and acknowledges that the goods sold here are wine cellars, which house wines. Purchaser assumes all risk of using these units, including risk of spoilage, humidity variations, temperature variations, leaks, fire, water damage, mold, mildew, dryness and similar perils that might occur.

Vinotemp[®]

www.vinotemp.com