

# Assembly instructions for 7ft IB-Curve Module.

## Fasteners.

IB-Curve-7

### Tools needed:

- (1) Hammer
- (1) Power drill
- (1) Level

\*Must use 18 guage Brad Gun with 1/4" brad nails to be able to assemble curve corner module properly.

Parts List:

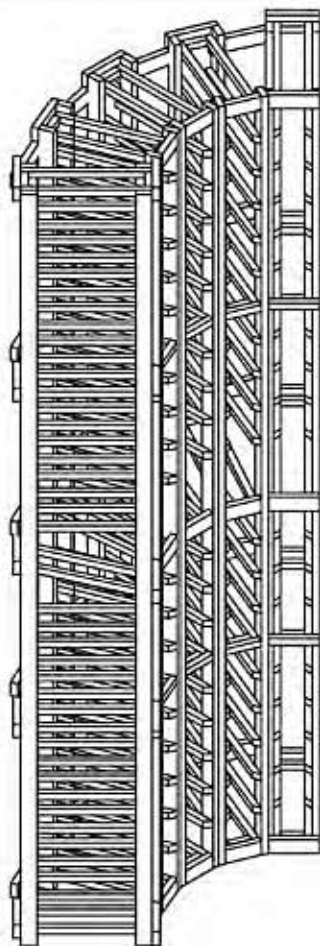


(6) 2 1/2" Phillips screws for attaching to wall.  
(6) 1/4" Joining Screws to attach to other modules.

(80) nails

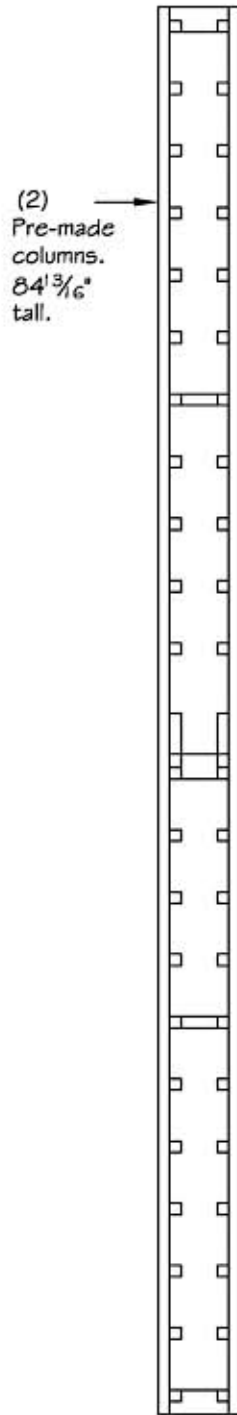
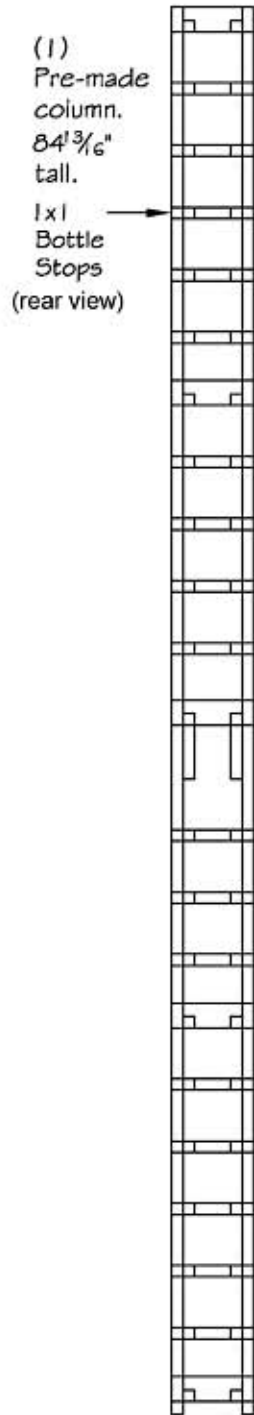


(6) Drywall Inserts



# Assembly instructions for 7ft IB-Curve Module. Racking.

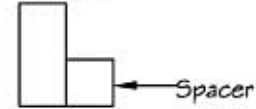
## IB-Curve-7



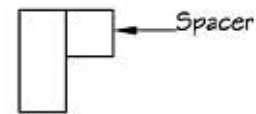
(2) Left End Ladder 84"

(2) Right End Ladders 84"

Side view of spacerbars "up" position



Side view of spacerbars "down" position



Display Row

Note the BACK spacerbar is determined by the nails showing from the 1x2 side used to attach the 1x2 to the 1x1 spacer. FRONT spacerbar has the nails showing on the 1x1 spacer.

Angled ends on front. Square ends on back.

(10) 1x2 Back Spacerbar  $4\frac{5}{8}$ "

(20) 1x2 Back Connector  $\frac{6}{8}$ "



(6) 1x2 Front Spacerbar  $4\frac{5}{8}$ "  
3 with angle on left and 3 on right

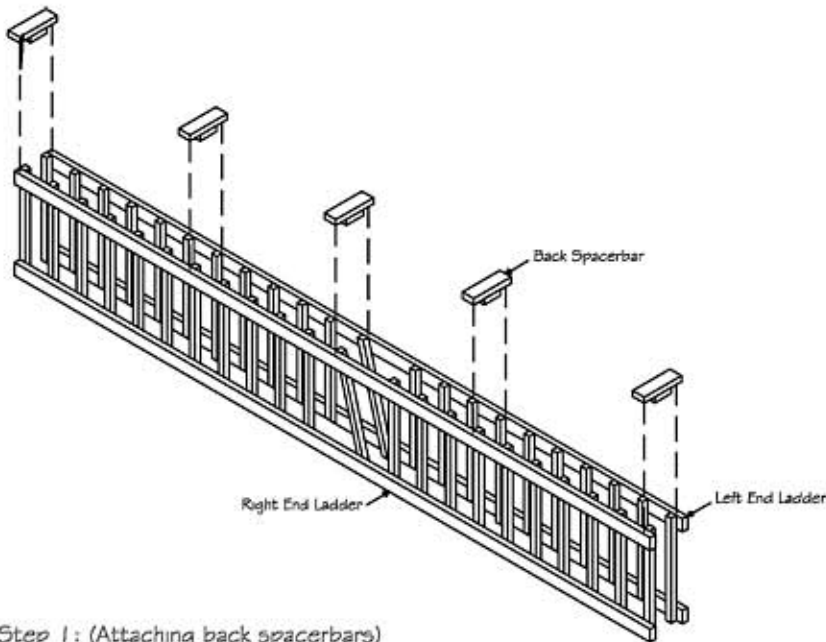


1x1 spacer

(4) 1x1 Front Spacerbar  $4\frac{5}{8}$ "  
2 with angle on left and 2 on right



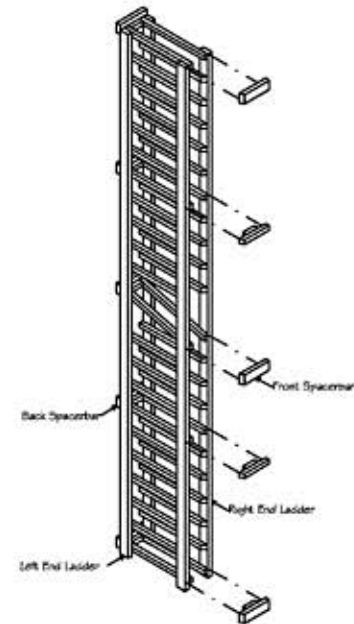
step



Step 1: (Attaching back spacerbars)

This is the first step in building the right end column. Take one right and left end ladder, making sure the angled rails are facing the floor, and nail a BACK 1x2 spacerbar on the 1st, 7th, 11th, 16th and 22nd rungs. The spacerbars need to be flipped "up" so that the spacer is towards the floor.

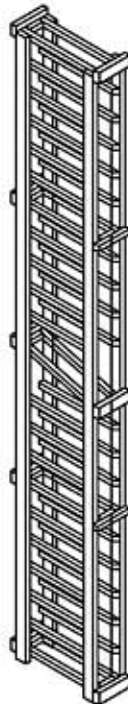
step 2



Step 2: (Attaching 1x2 & 1x1 front spacerbars)

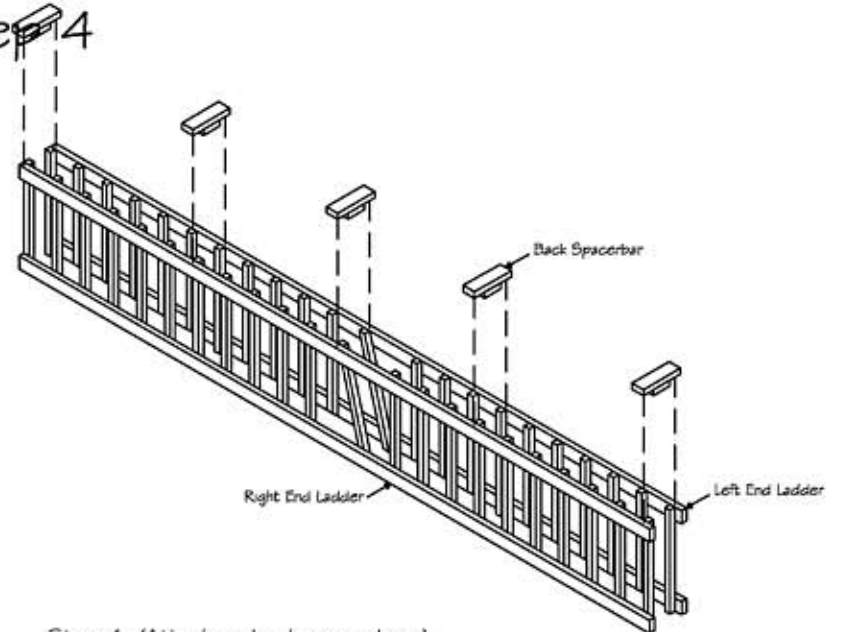
Starting from the bottom, place a 1x2 spacerbar on the 1st, 11th and 18th rungs, and a 1x1 spacerbar at the 7th and 16th rung. All of the spacerbars have angles on the left side. Place one nail into each ladder to secure into place. All but the bottom spacerbar needs to be flipped "up" so that the spacer is towards the floor.

step 3 Finish



Step 3: (Finish building right end column)  
Repeat steps one and two to create left end column.

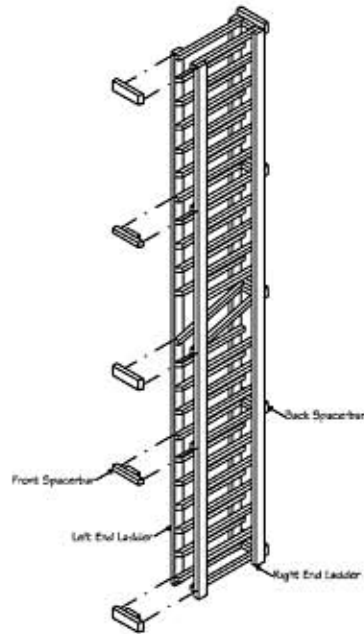
step 4



Step 4: (Attaching back spacerbars)

This is the first step in building the left end column. Take one right and left end ladder, making sure the angled rails are facing the floor, and nail a BACK 1x2 spacerbar on the 1st, 7th, 11th, 16th and 22nd rungs. The spacerbars need to be flipped "up" so that the spacer is towards the floor.

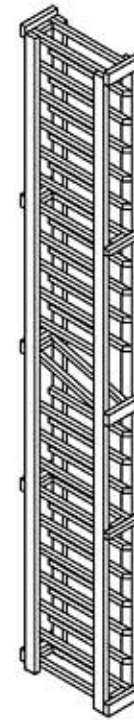
step 5



Step 5: (Attaching 1x2 & 1x1 front spacerbars)

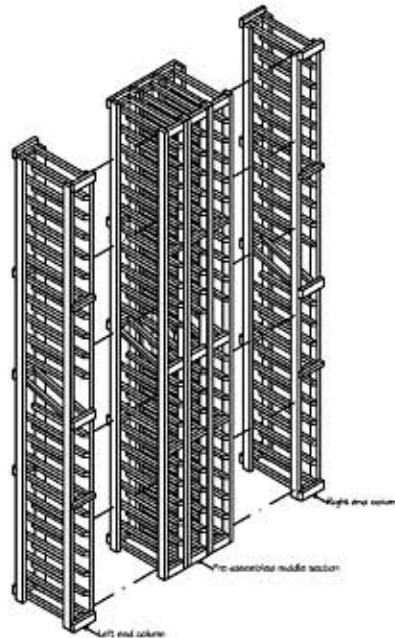
Starting from the bottom, place a 1x2 spacerbar on the 1st, 11th and 18th rungs, and a 1x1 spacerbar at the 7th and 16th rung. All of the spacerbars have angles on the right side. Place one nail into each ladder to secure into place. All but the bottom spacerbar needs to be flipped "up" so that the spacer is towards the floor.

step 6



Step 6: (Finish building left end column)

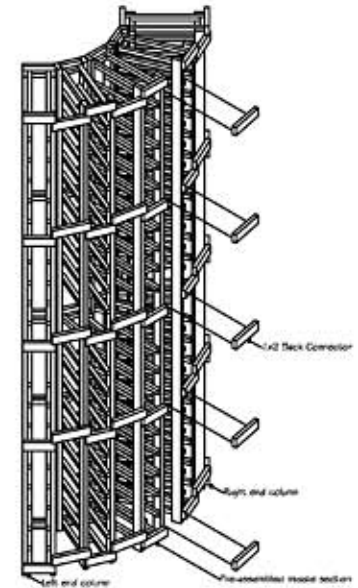
step 7



Step 7: (Attaching the right and left end columns to the pre-assembled middle section)

Take the three pre-assembled columns and attach the FRONT ONLY right end column to the three center columns. **Very important:** The right column needs to be recessed back  $1/16"$  (right column will be in line with the trim of the three center columns). Nail in at least 6-7 places along the full height.

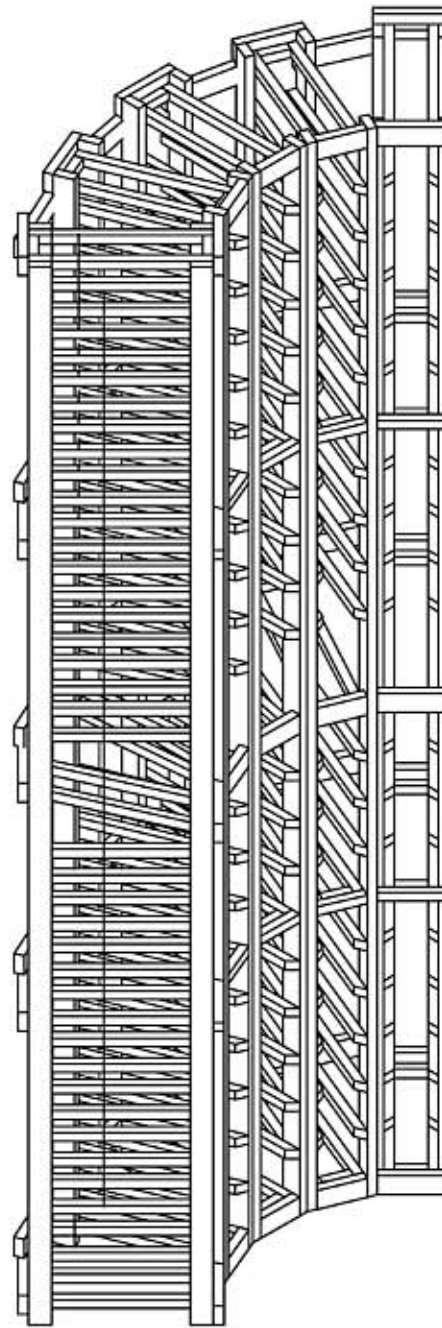
step 8



Step 8: (Attaching the back connectors)

From the back of the five columns carefully spread each column  $4\frac{3}{8}"$  wide. Make sure to keep the front part of the racking tightly together. Only spread one column at a time. There are five 1x2x6 $\frac{1}{8}"$  back spreaders per column that are attached to the back to keep the spread of the columns apart. Take one of the 1x2x6 $\frac{1}{8}"$  back connectors and rest it on top of the bottom back spacer bar. Spread the columns so that the 1x2x6 $\frac{1}{8}"$  piece is flush on both sides with the inside of the vertical. Go from bottom to top. Make sure the spread is equal before nailing. Repeat around entire module.

## step 9 Finish




### Step 9: (Finish)

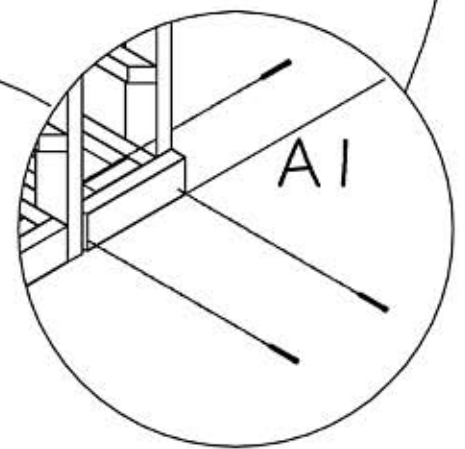
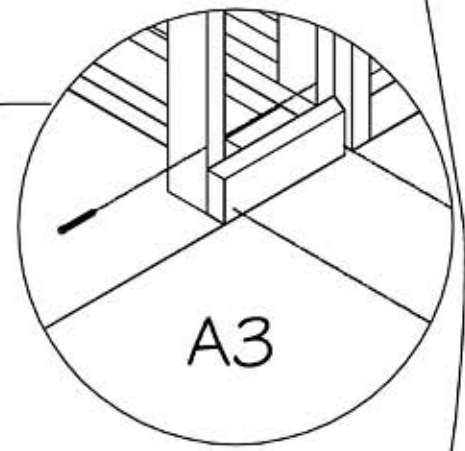
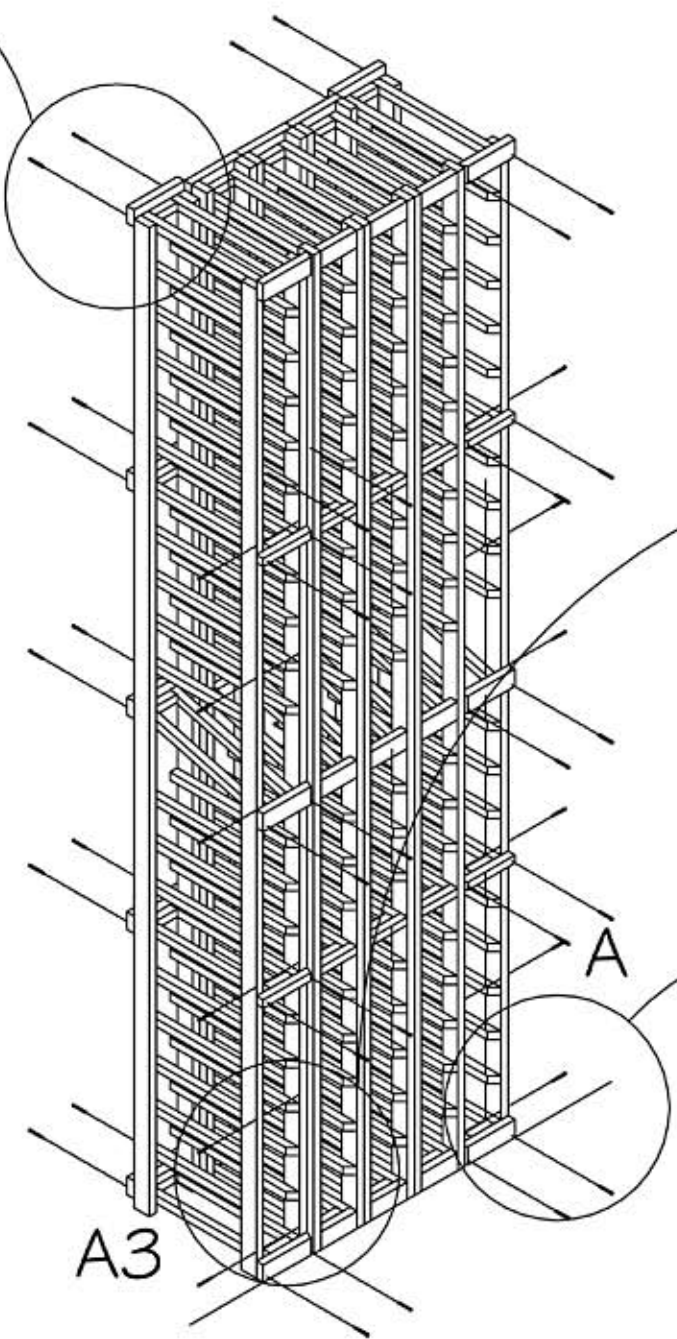
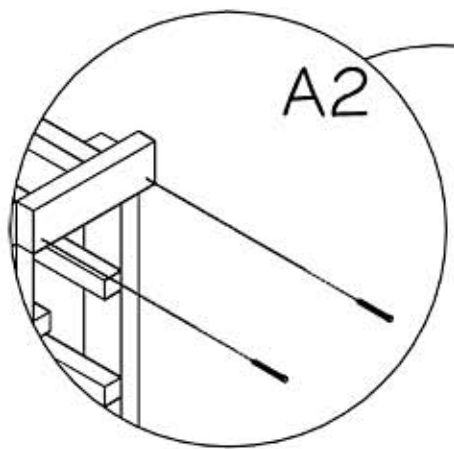
Fasten to the wall through the back spacerbars on the left end right end columns, using the 2½" screws and a level to make sure the rack is square on the wall.

# Fastener Placement Guide

page 1 (Before rack is spread apart)

(80) nails   
-Nail one at every point where the  
back connectors cover the ladder.

A



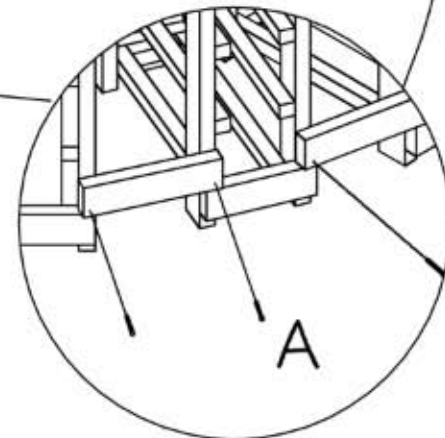
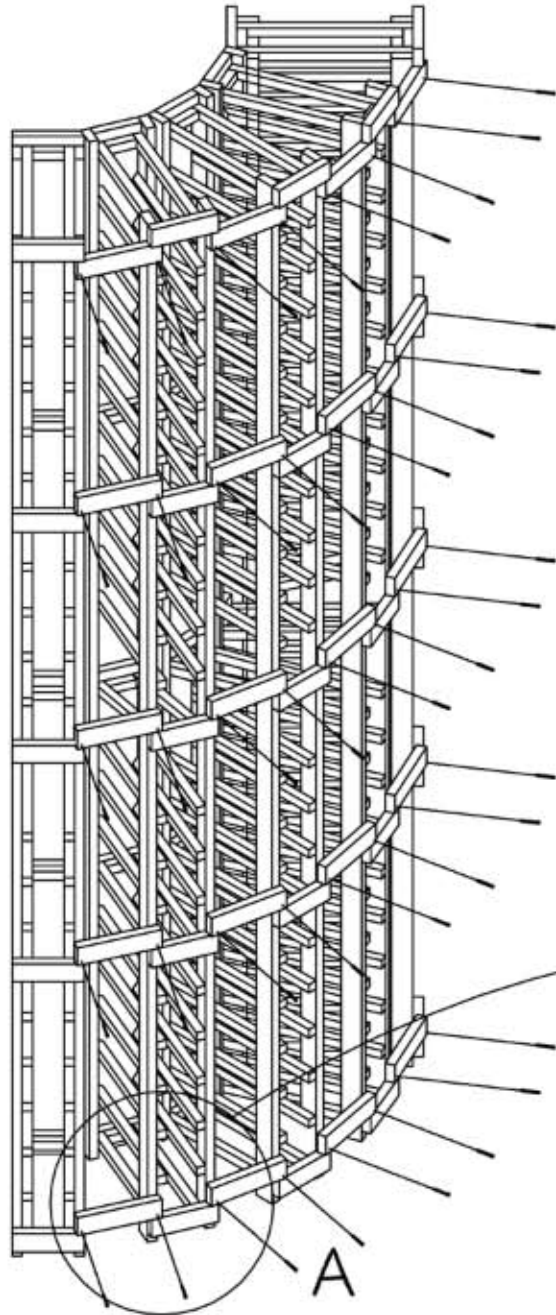
A3

A

# Fastener Placement Guide

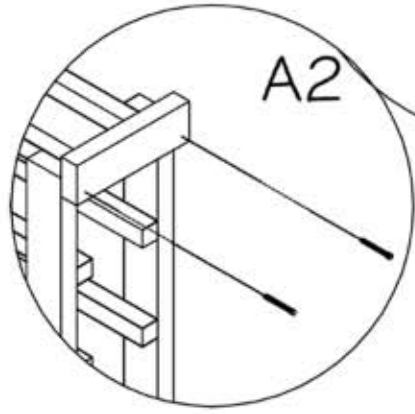
page 2

(80) nails  
-Nail one at every point where the front and back spacer bars intersect a ladder as shown.

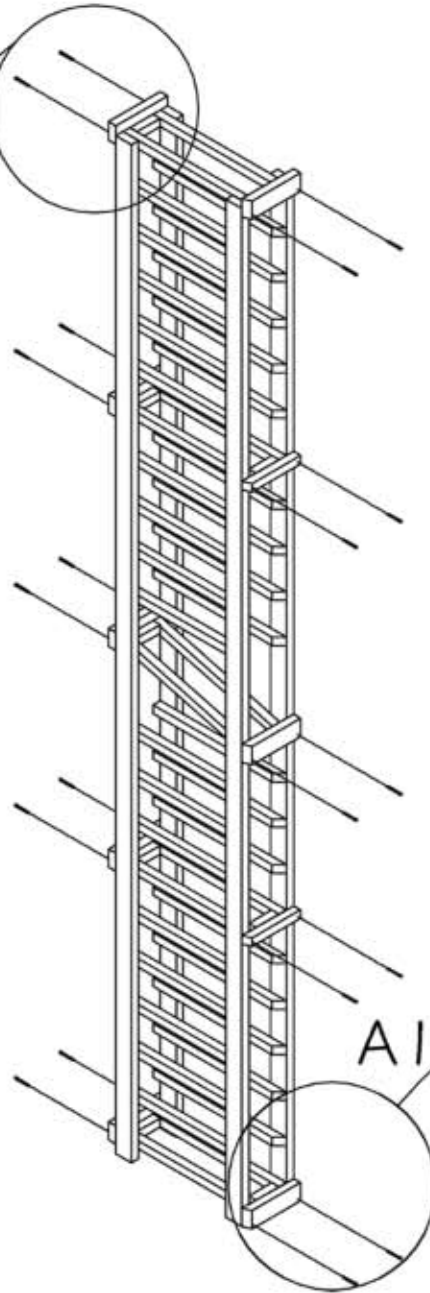


# Fastener Placement Guide

page 3



A2



(80) nails  
-Nail one at every point where the front and back spacer bars intersect a ladder as shown.



A

